

TRILO

TRR989096-UNV-010

TRILO TRACK SYSTEM

PROJECT



TRR989096-BK-UNV-010

Black



TRR989096-WH-UNV-010

White

SPECIFICATION DETAILS

Fixture Dimensions	Driver: L12" x W2-3/8" x H1-3/8"; Connector: L3-3/8" x W1-1/8" x H5/8"
Max Track Length	40m
Wattage	96W
Voltage	120-277V
Dimming	100% - 10%, TRIAC or ELV Dimmer (Not Included) or 0-10V Dimmer (Not Included)
Wire Length	96" Conduit with Wires
Location	Dry
Material	Aluminum + Steel
Paint Finish	BK02; WH02

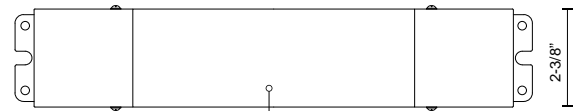
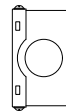
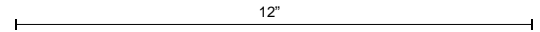
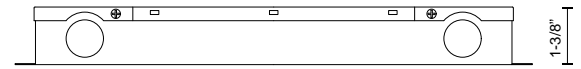
* For custom options, consult factory for details.

* For warranty information, please visit www.kuzcolighting.com/warranty

DESCRIPTION

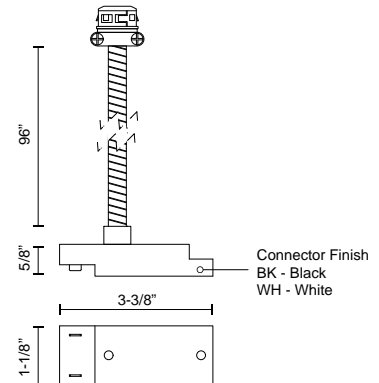
The Trilo remote driver power options include a fully enclosed 48V class 2 driver with compatible dimming (see specifications).

The remote driver includes end feed with field cuttable 96" wire and conduit. Must be installed at end of the Trilo track system.



Driver Finish
BK - Black
WH - White

Connector Included



KUZCO

CANADA: 19054 28TH AVENUE - SURREY, BC V3Z 6M3

USA: 3035 E. LONE MOUNTAIN ROAD - LAS VEGAS, NV 89081

WWW.KUZCOLIGHTING.COM

© 2024 KUZCO LIGHTING. ALL RIGHTS RESERVED.

COMMENT

