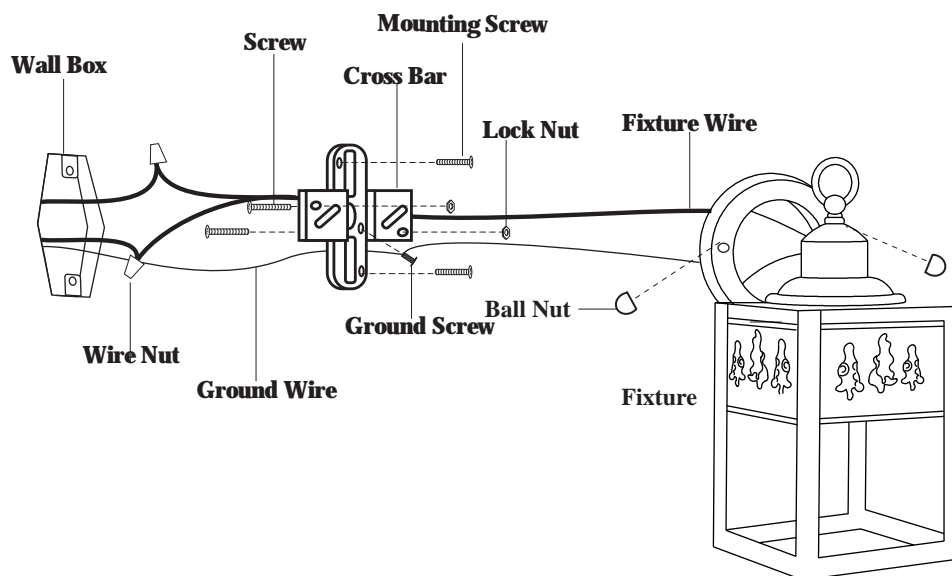


ASSEMBLY AND INSTALLATION INSTRUCTIONS

OW24953

WARNING: TO AVOID RISK OF ELECTRICAL SHOCK, BE SURE TO SHUT OFF POWER WHILE INSTALLING OR SERVICING THIS FIXTURE.

NOTE: Before installing, consult local electrical codes for wiring and grounding requirements.



Installation Steps:

1. Attach 2 screws to the cross bar, and then secure with 2 lock nuts.
2. Attach the cross bar to wall box by using 2 mounting screws.
3. Make wire connections:
 - Black wire from fixture to black wire from power source.
 - White wire from fixture to white wire from power source.
 - Attach the ground wire and house ground wire to the cross bar with a green ground screw.Carefully tuck wires back into the wall box.
4. Attach the fixture to the cross bar by inserting the screws, and then secure with the ball nuts.
5. Install a bulb. (Please do not exceed the maximum capacity which is recommended on the socket.)
6. Turn on the power at fuse or circuit box.