

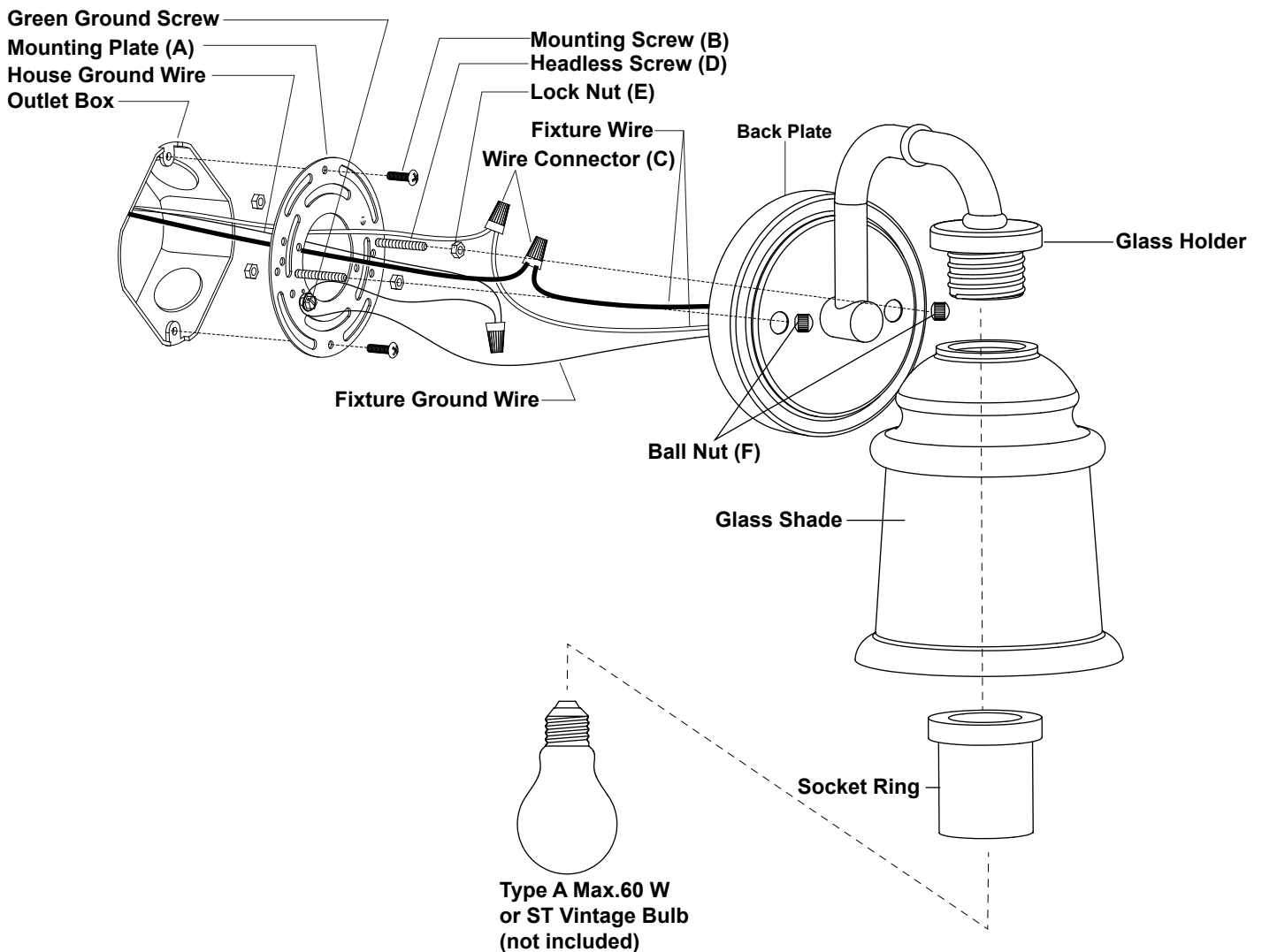
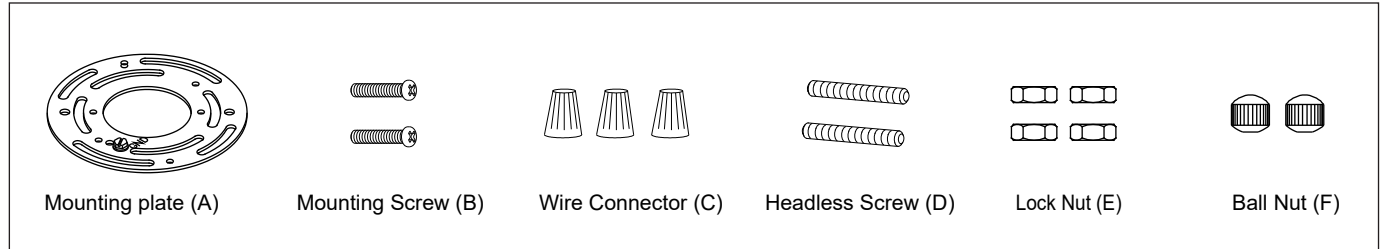
ASSEMBLY AND INSTALLATION INSTRUCTIONS

W0348

WARNING: TO AVOID RISK OF ELECTRICAL SHOCK, BE SURE TO SHUT OFF POWER BEFORE INSTALLING OR SERVICING THIS FIXTURE.

NOTES: 1. Before installing, consult local electrical codes for wiring and grounding requirements.
2. READ AND SAVE THESE INSTRUCTIONS.

Hardware Package (included):



Installation Steps

Turn off the power at fuse or circuit box

1. Thread two headless screws (D) through the mounting plate (A), then secure them with four lock nuts (E) (two on each side of the mounting plate). Adjust the length of the headless screws (D) if necessary.

Note: Make sure that the headless screws are lined up horizontally, in order to ensure that the fixture will be level.

2. Attach the mounting plate (A) to the outlet box by using two mounting screws (B).

3. Pull out the source wires from the outlet box. Make wire connections using wire connectors (C) as follows:

---Connect the hot wire (black insulation) from the fixture to the black wire from the power source.

---Connect the neutral wire (white insulation) from the fixture to the white wire from the power source.

---Attach the fixture ground wire (green insulation or bare wire) to the mounting plate (A) with the green ground screw, then connect it to the house ground wire with the wire connectors (C).

Carefully put the wires back into the outlet box.

4. Attach the back plate to the mounting plate (A) by inserting the headless screw (D), then secure it with the two ball nuts (F).

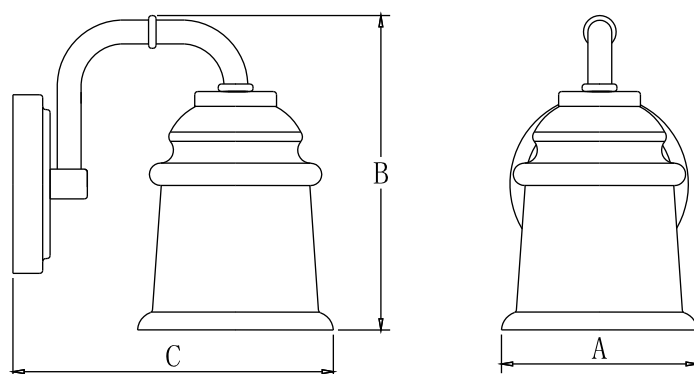
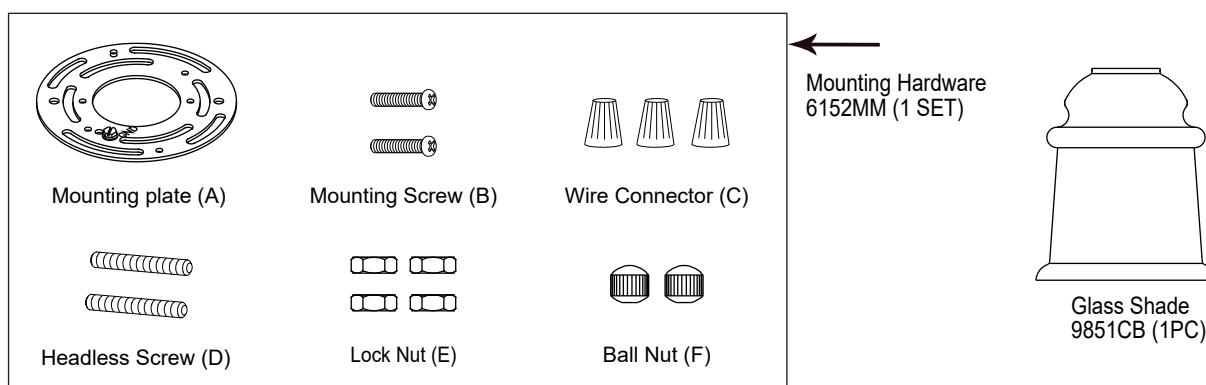
5. Attach the glass shade onto the glass holder and tighten it with the socket ring.

6. Install a bulb (not included). Check relamping label at socket area or packaging for maximum allowed wattage.

Turn on the power at fuse or circuit box

The following parts are available for re-order if damaged or missing.

Spare Parts List:



A: 5-1/4"
B: 8-1/4"
C: 8"